

SC10/10DL MBP/HBP Twin Compressor R404A/R507 & R407C 220-240V 50Hz

General

Code number	104L4091
Approvals	EN 60335-2-34
Compressors on pallet	18

Application

Application	MBP/HBP		
Frequency	Hz	50	60
Evaporating temperature	°C	-20 to 15	-
Voltage range	V	198 - 254	-
Max. condensing temperature continuous (short)	°C	55 (60)	-
Max. winding temperature continuous (short)	°C	125 (135)	-

Cooling requirements

Frequency	Hz	50			60		
Application		LBP	MBP	HBP	LBP	MBP	HBP
32°C		-	F ₂	F ₂	-	-	-
38°C		-	F ₂	F ₂	-	-	-
43°C		-	-	-	-	-	-
Remarks on application:							

Motor

Motor type	CSIR		
LRA (rated after 4 sec. UL984) *, HST LST	A	2 x 14.8	-
Cut in Current *, HST LST	A	2 x 14.8	-
Resistance, main start winding (25°C)	Ω	5.0	13.7

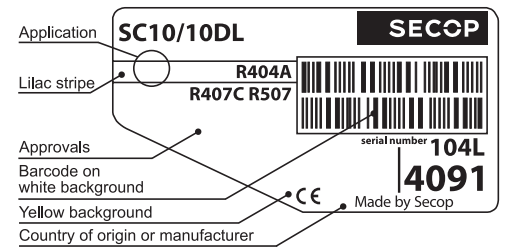
* Operational current for the second compressor time-delayed.

Design

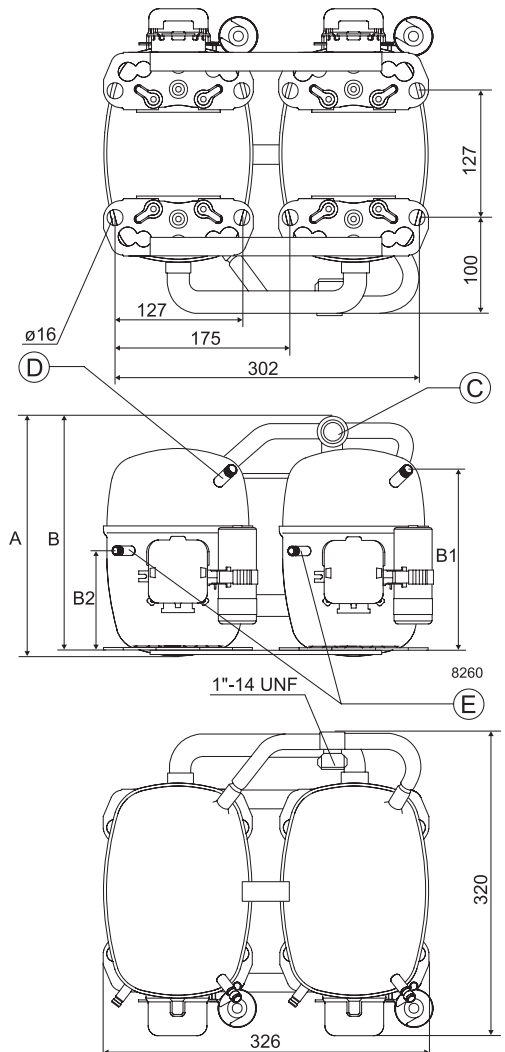
Displacement	cm ³	2 x 10.29
Oil quantity (type)	cm ³	1220 (polyolester)
Maximum refrigerant charge	g	2200
Free gas volume in compressor	cm ³	2820
Weight without electrical equipment	kg	26.8

Dimensions

Height	mm	A	249
		B	244
		B1	183
		B2	100
Suction connector (service valve)	location/I.D. mm	C	12 37°
Suction connector (solder connector)	location/I.D. mm	C	12 37°
Process connector	location/I.D. mm angle	D	6.2 37°
	material comment		Cu-plated steel Al cap
Discharge connector	location/I.D. mm angle	E	6.2 37°
	material comment		Cu-plated steel Al cap
Oil cooler connector	location/I.D. mm angle	F	-
	material comment		-
Connector tolerance	I.D. mm		±0.09
Remarks:			



- S = Static cooling normally sufficient
- O = Oil cooling
- F₁ = Fan cooling 1.5 m/s (compressor compartment temperature equal to ambient temperature)
- F₂ = Fan cooling 3.0 m/s necessary
- SG = Suction gas cooling normally sufficient
- = not applicable in this area



EN 12900 Household (CECOMAF) R404A/R507, 220V, 50Hz, fan cooling F₂

Evap. temp. in °C	-45	-40	-35	-30	-25	-23.3	-20	-15	-10	-6.7	-5	0	5	7.2	10	15	20
Capacity in W							943	1222	1550	1798	1935	2383	2900	3152	3494	4169	
Power cons. in W							747	858	957	1016	1044	1118	1180	1203	1228	1262	
Current cons. in A							5.11	5.55	5.95	6.18	6.30	6.60	6.85	6.95	7.06	7.21	
COP in W/W							1.26	1.42	1.62	1.77	1.85	2.13	2.46	2.62	2.85	3.30	

ASHRAE LBP R404A/R507, 220V, 50Hz, fan cooling F₂

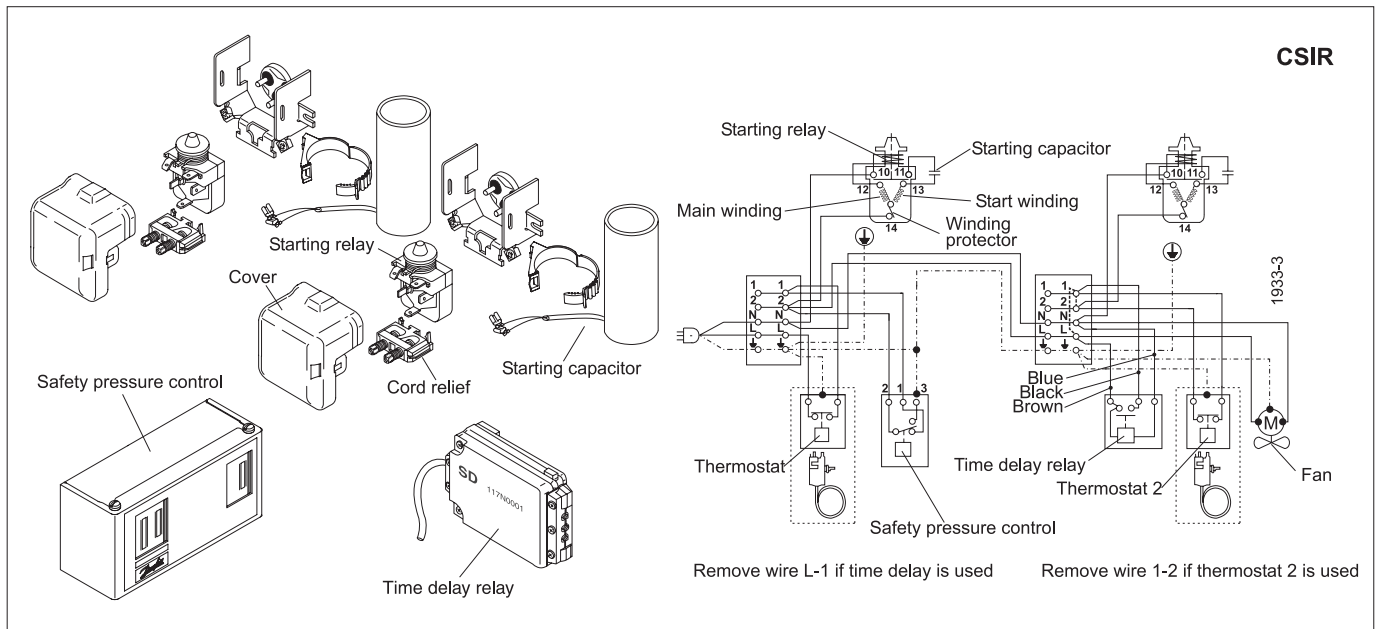
Evap. temp. in °C	-45	-40	-35	-30	-25	-23.3	-20	-15	-10	-6.7	-5	0	5	7.2	10	15	20
Capacity in W							1095	1420	1804	2085	2256	2782	3392	3690	4095	4901	
Power cons. in W							747	858	957	1016	1044	1118	1180	1203	1228	1262	
Current cons. in A							5.11	5.55	5.95	6.18	6.30	6.60	6.85	6.95	7.06	7.21	
COP in W/W							1.47	1.66	1.89	2.05	2.16	2.49	2.88	3.07	3.34	3.88	

EN 12900 Household (CECOMAF) R407C, 220V, 50Hz, fan cooling F₂

Evap. temp. in °C	-45	-40	-35	-30	-25	-23.3	-20	-15	-10	-6.7	-5	0	5	7.2	10	15	20
Capacity in W								961	1272	1503	1642	2077	2586	2835	3176	3855	
Power cons. in W								693	788	842	874	951	1020	1047	1081	1135	
Current cons. in A								5.00	5.32	5.51	5.62	5.90	6.16	6.27	6.40	6.63	
COP in W/W								1.39	1.61	1.78	1.88	2.18	2.54	2.71	2.94	3.40	

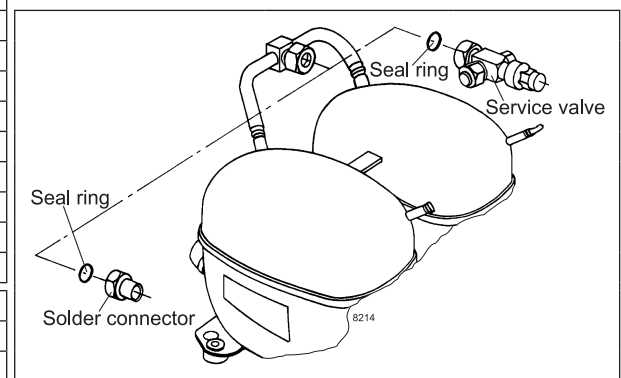
ASHRAE LBP R407C, 220V, 50Hz, fan cooling F₂

Evap. temp. in °C	-45	-40	-35	-30	-25	-23.3	-20	-15	-10	-6.7	-5	0	5	7.2	10	15	20
Capacity in W								1030	1364	1612	1761	2229	2776	3045	3412	4146	
Power cons. in W								693	788	842	874	951	1020	1047	1081	1135	
Current cons. in A								5.00	5.32	5.51	5.62	5.90	6.16	6.27	6.40	6.63	
COP in W/W								1.49	1.73	1.91	2.01	2.34	2.72	2.91	3.16	3.65	



Accessories	SC10/10DL	pcs.	Code number
Starting device	470 mm cable length	2	-
	550 mm cable length		-
	650 mm cable length		-
Starting relay	6.3 mm spade connectors	2	117U6005
Start. capacitor 80 µF	6.3 mm spade connectors	2	117U5017
Cover		2	103N2009
Cord relief		2	103N1004
Time-delay relay		1	117N0001
Check valve (to be used with time-delay relay)		2	020-1014
Service valve	12 mm	1	118-7350
Solder connector (alternative)	12 mm	1	104B0584
Service valve	16 mm	1	-
Solder connector (alternative)	16 mm	1	-
Seal ring for service valve and solder connector		1	118-3638
Mounting accessories		pcs.	Code number
Bolt joint for one compressor	Ø: 16 mm	2	118-1917
Bolt joint in quantities	Ø: 16 mm	2	118-1918

Test conditions	EN 12900/CECOMAF	ASHRAE MBP/HBP
Condensing temperature	45°C	45°C
Ambient temperature	32°C	32°C
Suction gas temperature	32°C	32°C
Liquid temperature	no subcooling	32°C



Secop can accept no responsibility for possible errors in catalogues, brochures and other printed material. Secop reserves the right to alter its products without notice. This also applies to products already on order provided that such alterations can be made without consequential changes being necessary in specifications already agreed. All trademarks in this material are property of the respective companies. Secop and the Secop logotype are trademarks of Secop GmbH. All rights reserved. www.secop.com